

**AD120 (A491)**

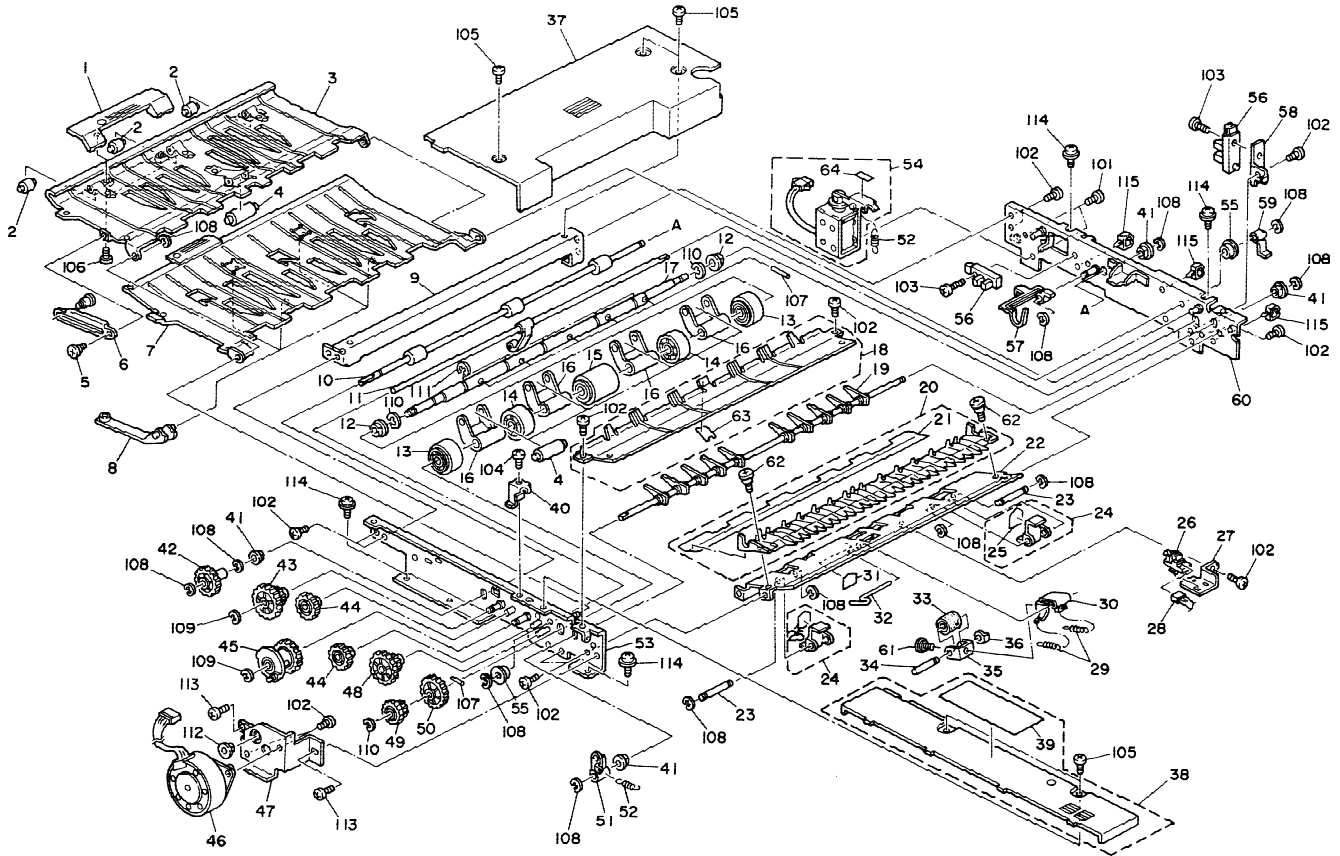
## **PARTS CATALOG**

### **INTRODUCTION**

This chapter instructs you the numbers and names of these parts on this machine.

### **INDEX to PARTS CATALOG**

1. DUPLEX UNIT I (A491) .....	2
2. DUPLEX UNIT II (A491) .....	5
3. DUPLEX MAIN BOARD (A491) .....	7
4. DUPLEX HARNESS (A491) .....	9
5. SENSOR HARNESS (A491) .....	11
6. DECAL AND DOCUMENT (A491) .....	13
<b>Parts Index</b> .....	<b>15</b>



**1. DUPLEX UNIT I (A491)**

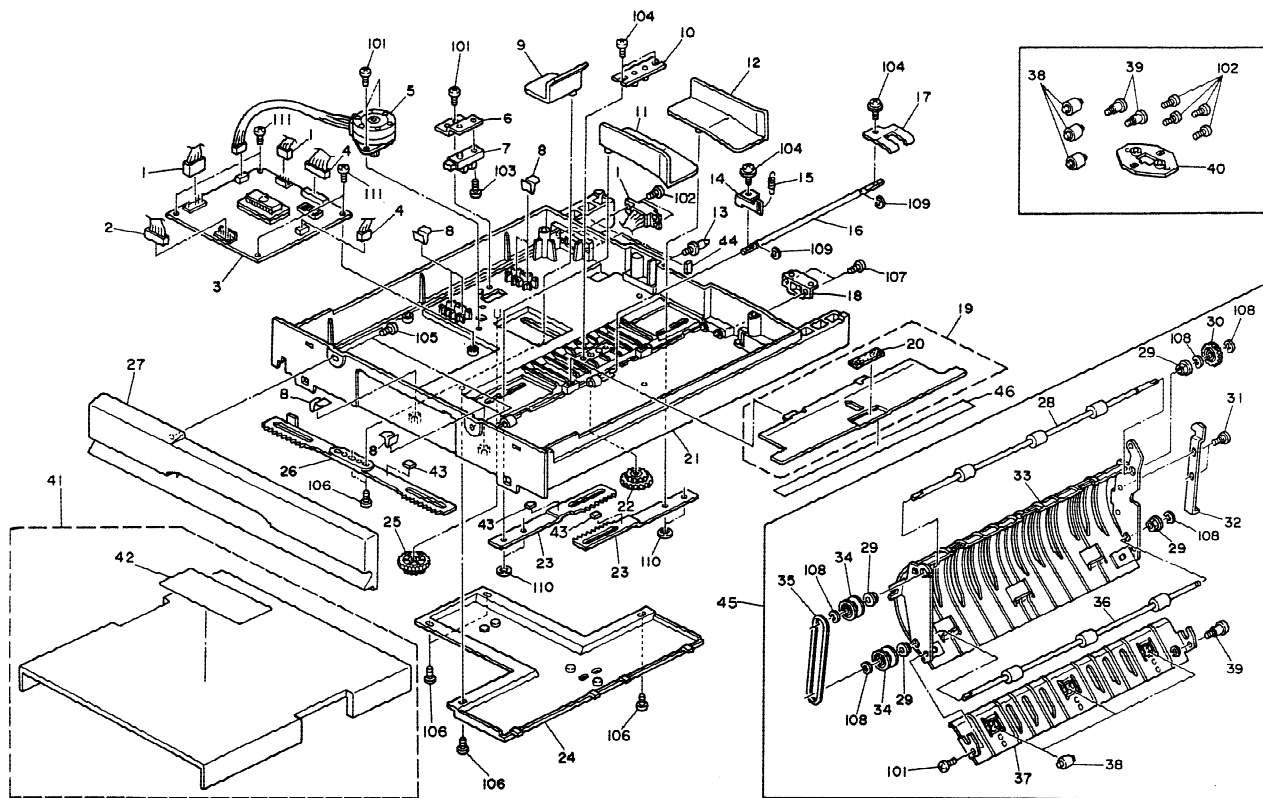
Index No.	Part No.	Description	Q'ty per Assembly
1	AG05 1067	Paper Removal Handle	1
2	AF02 2032	Turn Driven Roller	3
3	A491 4730	Upper Guide Plate	1
4	AF02 2044	Large Driven Roller	5
5	AA14 3076	Stepped Screw - M4	1
6	A491 4740	Guide Plate Link	1
7	A491 4750	Lower Guide Plate	1
8	A491 4765	Paper Holding Bar	2
9	A491 4720	Duplex Stay	1
10	AF02 0153	Paper Transport Roller	1
11	A491 4715	Paper End Actuator	1
12	5304 1639	Bushing - 8mm	2
13	AF02 0156	Stack Roller	2
14	AF02 2045	Stack Roller Holder	2
15	AF03 1008	Feed Roller	1
16	A491 4825	Holder - Large Driven Roller	4
17	AA14 0292	Feed Roller Shaft	1
18	A491 4759	Guide Plate	1
19	AF02 5013	Junction Gate	1
20	A491 4789	Inverter Guide Plate	1
21	A491 4790	Mylar Seal - Inverter Guide Plate	1
22	A491 4770	Guide Plate Paper Feed	1
23	AA14 5119	Jog Plate Shaft	2
24	A491 4786	Jog Plate	2
25	A491 4783	Mylar Seal - 0.1x18x23	2
26	AW02 0023	Paper Entrance Sensor	1
27	A491 4785	Bracket - Paper Entrance Sensor	1
28	A491 5302	Intermediate Harness	1
29	AA06 0245	Separation Roller Spring	2
30	A491 4815	Separation Roller Bracket	1
31	A491 4780	Mylar Seal - 0.1x23.5x24	1
32	A491 4817	Guide Pin - Separation Roller	1
33	AF03 2003	Separation Roller	1
34	AA14 5117	Separation Roller Shaft	1
35	A491 4810	Separation Roller Holder	1

**December 1, '90**

Index No.	Part No.	Description	Q'ty per Assembly
36	5447 2681	Snap Ring	1
37	A491 4625	Upper Left Cover	1
38	A491 4903	Upper Front Cover	1
39	A491 4910	Decal - Removing Misfed Paper	1
40	A491 4705	Stopper - Bottom Plate Clutch	1
41	AA08 0022	Bushing - 4x7x5mm	4
42	AB01 3425	Gear - 28Z	1
43	AB01 7162	Gear - 14Z/36Z	1
44	AB01 3426	Gear - 22Z	2
45	AB04 0008	Bottom Plate Clutch	1
46	A491 5205	Transport Motor - DC30V	1
47	A491 4700	Transport Motor Bracket	1
48	AB01 7163	Gear - 14Z/28Z	1
49	AB01 7161	Gear - 14Z/45Z	1
50	AB01 3424	Gear - 28Z	1
51	A491 4725	Junction Gate Hook	1
52	5442 3233	Spring - Drive Wheel	2
53	A491 4670	Front Side Plate	1
54	A491 4832	Fusing Gate Solenoid	1
	A491 5220	x/o MB1	1
55	5443 2668	Bushing	2
56	AW02 0022	Photointerruptor	2
57	AA11 1010	Paper Entrance Feeler	1
58	A491 4710	Bracket - Paper End Sensor	1
59	AA11 1011	Paper End Feeler	1
60	A491 4680	Rear Side Plate	1
61	AA14 3076	Stepped Screw - M4	1
62	AA14 3287	Stepped Screw - M3	2
63	A491 4761	Guide Plate Mylar - 0.188x12x25	1
64	A491 4831	Mylar Seal - 0.188x9x33 MB1 (Added)	1

Index No.	Part No.	Description	Q'ty per Assembly
101	0313 0040B	Philips Pan Head Screw - M3x4	
102	0313 0050W	Philips Pan Head Screw - M3x5	
103	0314 0100W	Philips Pan Head Screw - M4x10	
104	0353 0050W	Tapping Screw - M3x5	
105	0353 0060F	Philips Truss Head Screw - M3x6	
106	0413 0062W	Tapping Screw - M3x6	
107	0632 0140E	Parallel Pin - M2x14	
108	0720 0030E	Retaining Ring - M3	
109	0720 0040E	Retaining Ring - M4	
110	0720 0060E	Retaining Ring - M6	
111	0720 0080E	Retaining Ring - M8	
112	0805 3366	Bushing - 6mm	
113	0951 3005W	Philips Screw With Flat Washer - M3x5	
114	0951 4006W	Philips Screw With Flat Washer - M4x6	
115	1105 0199	Clamp	

Index No.	Part No.	Description	Q'ty per Assembly



**2. DUPLEX UNIT II (A491)**

Index No.	Part No.	Description	Q'ty per Assembly
1	A491 5300	Duplex Harness	1
2	A491 5205	Transport Motor - DC30V	1
3	A491 5101	Duplex Main Board	1
4	A491 5301	Sensor Harness	1
5	A491 5210	Jog Motor - DC24V	1
6	A491 4660	Jog Sensor Bracket	1
7	AW02 0022	Photointerruptor	1
8	A491 4890	Harness Clamp Plate	6
9	AF01 7005	End Jog Fence	1
10	A491 4650	Jog Registration Plate	1
11	AF01 6026	Front Jog Fence	1
12	AF01 6027	Rear Jog Fence	1
13	AA14 3269	Guide Pin - M6	2
14	A491 4690	Bottom Plate Hook	1
15	AA06 0257	Spring - Bottom Plate Clutch	1
16	AA14 0291	Bottom Plate Shaft	1
17	A491 4695	Pressure Plate - Bottom Plate	1
18	AG07 0004	Magnet Catch Ass'y	1
19	A491 4685	Bottom Plate	1
20	AF01 3002	Bottom Plate Pad	1
21	A491 4611	Duplex Tray	1
22	AB01 7165	Gear - 16Z/22Z	1
23	A491 4640	Side Fence Rack	2
24	A491 4630	Bottom Cover	1
25	AB01 7164	Gear - 21Z/64Z	1
26	A491 4645	End Fence Rack	1
27	A491 4950	Front Cover (USA)	1
27	A491 4951	Front Cover (EU)	1
28	AF02 0155	Lower Turn Roller	1
29	AA08 0022	Bushing - 4x7x5mm	4
30	AB01 3427	Gear - 14Z	1
31	AA14 3076	Stepped Screw - M4	2
32	A491 4880	Fusing Gate Lever	1
33	A491 4860	Upper Turn Guide Plate	1
34	A491 4885	Turn Roller Pulley	2

**December 1, '90**

Index No.	Part No.	Description	Q'ty per Assembly
35	AA04 2004	Turn Roller Drive Belt	1
36	AF02 0154	Upper Turn Roller	1
37	A491 4870	Lower Turn Guide Plate	1
38	AF02 2032	Turn Driven Roller	6
39	AA14 3070	Shoulder Screw - M2x2	2
40	A491 4835	Connector Bracket	1
41	A491 4634	Dust Cover	1
42	A491 4915	Dust Cover Decal	1
43	A491 4647	Cushion - Side Fence Rack	1
44	AA16 2035	Cushion - Paper Tray MB2 (Added)	1
45	A491 4550	Turn Guide Plate A'ssy	1
46	A491 4686	Cushion - Tray Bottom Plate	1
101	0313 0050W	Philips Pan Head Screw - M3x5	
102	0313 0060W	Philips Pan Head Screw - M3x6	
103	0314 0100W	Philips Pan Head Screw - M4x10	
104	0343 0060W	Philips Pan Head Screw - M3x6	
105	0344 0080F	Philips Truss Head Screw - M4x8	
106	0413 0062W	Tapping Screw - M3x6	
107	0434 0122W	Pan Head Self-tapping Screw - M4x12	
108	0720 0030E	Retaining Ring - M3	
109	0720 0040E	Retaining Ring - M4	
110	0805 0073	Retaining Ring - M5	
111	0951 3005W	Philips Screw With Flat Washer - M3x5	

### 3. DUPLEX MAIN BOARD (A491)

December 1, '90

#### CAPACITOR

SYMBOL NO.	INDEX NO.
C701	126
C702	144
C703	129
C704	124
C705	126
C706	129
C707	129
C708	129
C709	129
C710	128

SYMBOL NO.	INDEX NO.
C711	128
C712	122
C713	129
C715	129
C716	125
C717	125
C718	130
C719	121
C720	130
C721	124

SYMBOL NO.	INDEX NO.
C722	130
C723	122
C724	130
C726	129
C727	127
C728	130
C729	127
C730	129
C731	129
C732	123

#### CONNECTOR

SYMBOL NO.	INDEX NO.
CN701	105
CN702	103
CN703	104
CN704	106
CN705	102
CN706	101

#### DIODE

SYMBOL NO.	INDEX NO.
D700	109
D701	109
D704	111
D705	111

#### DIP SWITCH

SYMBOL NO.	INDEX NO.
DPS700	107

#### IC

SYMBOL NO.	INDEX NO.
IC701	112
IC702	1
IC703	114
IC704	113
IC705	115

#### NOISE FILTER

SYMBOL NO.	INDEX NO.
EMISF	120

#### OSCILLATOR

SYMBOL NO.	INDEX NO.
OSC700	116

#### RESISTOR

SYMBOL NO.	INDEX NO.
R700	141
R701	141
R706	140
R707	140
R708	140
R709	140
R711	136
R712	136
R713	136
R714	136

SYMBOL NO.	INDEX NO.
R715	133
R716	137
R717	139
R718	131
R719	142
R720	138
R721	133
R722	133
R723	140
R724	117

SYMBOL NO.	INDEX NO.
R725	117
R726	137
R727	134
R728	135
R731	133
R732	133
R733	133
R734	132
R735	132
R736	133

SYMBOL NO.	INDEX NO.
R737	133
R742	133
R743	132
R744	143

#### RESISTOR ARRAY

SYMBOL NO.	INDEX NO.
RAY700	119
RAY701	118

#### ZENER DIODE

SYMBOL NO.	INDEX NO.
ZD700	110

#### TRANSISTOR

SYMBOL NO.	INDEX NO.
Q700	108

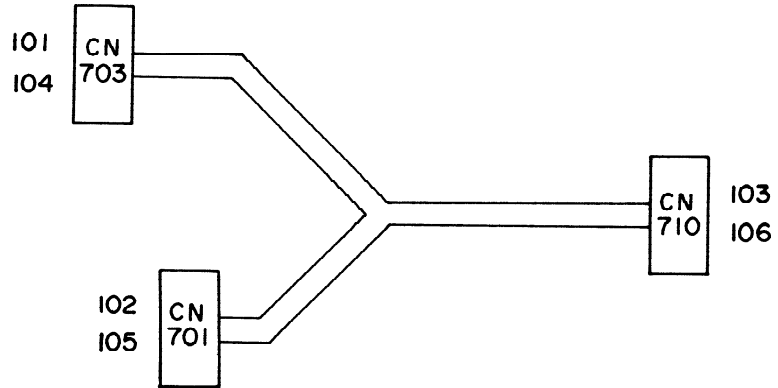


### 3. DUPLEX MAIN BOARD (A491)

Index No.	Part No.	Description	Q'ty per Assembly
*	A491 5101	Duplex Main Board	1
1	A491 5105	IC - uPD7811H	1
101	1102 4203	CT Header - 4P	
102	1102 4205	Connector - 6P	
103	1102 4497	Connector - 13P	
104	1103 0441	Pin Terminal - 4P	
105	1103 1770	Connector - 4P	
106	1103 1772	Pin Header - 6P	
107	1204 1482	DIP Switch	
108	1400 0208	Transistor - 2SC945	
109	1401 0815	Diode - 1S1588	

December 1, '90

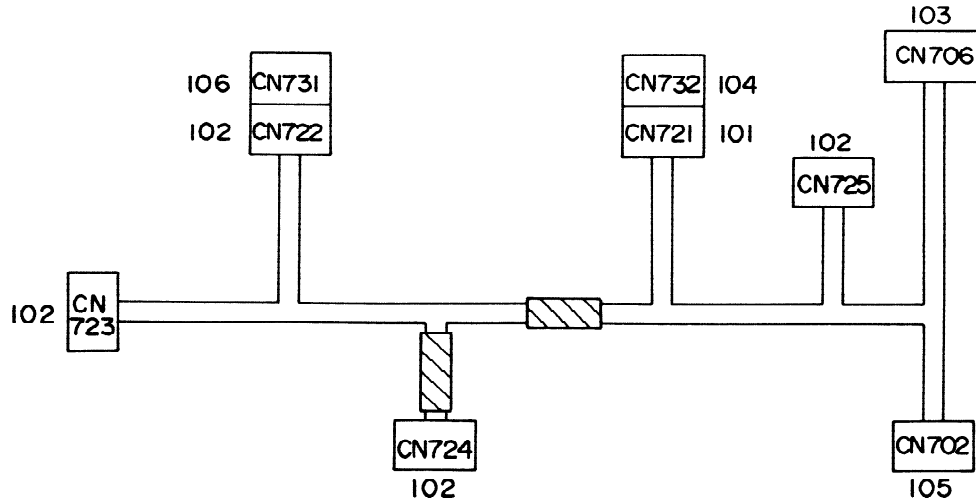
Index No.	Part No.	Description	Q'ty per Assembly
110	1402 0277	Zener Diode - 1Z12	
111	1402 0841	Diode - RK34	
112	1407 1348	IC - TD62304AP	
113	1407 1535	IC - TD62308AP	
114	1407 3478	IC - SLA7024M	
115	1408 0258	IC - AN6914	
116	1503 0071	Oscillator - 12MHz	
117	1600 1295	Resistor - 0.82 $\Omega$ 2W $\pm$ 5%	
118	1601 7354	Resistor Array - 10K $\Omega$	
119	1601 7374	Resistor Array - 4.7K $\Omega$	
120	1602 7032	Noise Filter - 2200pF 250V 7A	
121	1604 1363	Capacitor - 10uF $\pm$ 20% 25V	
122	1604 1367	Capacitor - 100uF $\pm$ 20% 25V	
123	1604 1379	Capacitor - 2.2uF $\pm$ 20% 50V	
124	1604 1386	Capacitor - 100uF $\pm$ 20% 50V	
125	1606 1129	Capacitor - 30pF $\pm$ 5% 50V	
126	1606 1329	Capacitor - 330pF $\pm$ 10% 50V	
127	1606 1330	Capacitor - 470pF $\pm$ 10% 50V	
128	1606 1333	Capacitor - 2200pF -20% +80% 50V	
129	1606 1336	Capacitor - 10000pF -20% +80% 50V	
130	1606 1458	Capacitor - 0.1uF -20% +80% 50V	
131	1611 4101	Resistor - 100 $\Omega$ 1/4T $\pm$ 5%	
132	1611 4102	Resistor - 1K $\Omega$ 1/4T $\pm$ 5%	
133	1611 4103	Resistor - 10K $\Omega$ 1/4T $\pm$ 5%	
134	1611 4105	Resistor - 1M $\Omega$ 1/4T $\pm$ 5%	
135	1611 4181	Resistor - 180 $\Omega$ 1/4T $\pm$ 5%	
136	1611 4223	Resistor - 22K $\Omega$ 1/4T $\pm$ 5%	
137	1611 4242	Resistor - 2.4K $\Omega$ 1/4T $\pm$ 5%	
138	1611 4332	Resistor - 3.3K $\Omega$ 1/4T $\pm$ 5%	
139	1611 4391	Resistor - 390 $\Omega$ 1/4T $\pm$ 5%	
140	1611 4472	Resistor - 4.7K $\Omega$ $\pm$ 5% 1/4W	
141	1611 4473	Resistor - 47K $\Omega$ 1/4T $\pm$ 5%	
142	1611 4511	Resistor - 510 $\Omega$ 1/4T $\pm$ 5%	
143	1611 4513	Resistor - 51K $\Omega$ 1/4T	
144	1604 1371	Capacitor - 1000uF 25V	



**4. DUPLEX HARNESS (A491)****December 1, '90**

Index No.	Part No.	Description	Q'ty per Assembly
*	A491 5300	Duplex Harness	1

Index No.	Part No.	Description	Q'ty per Assembly
101	1100 1247	Terminal	
102	1100 1329	Socket Contact	
103	1100 1534	Pin Contact	
104	1102 1831	Connector - 4P	
105	1102 1984	Connector - 4P	
106	1102 4800	Connector - 8P	



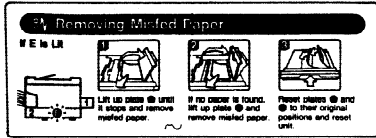
**5. SENSOR HARNESS (A491)**

**December 1, '90**

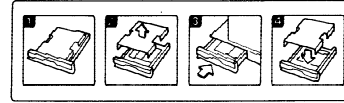
Index No.	Part No.	Description	Q'ty per Assembly
*	A491 5301	Sensor Harness	1

Index No.	Part No.	Description	Q'ty per Assembly
101	1102 4213	Connector - 2P	
102	1102 4214	CT Receptacle - 3P	
103	1102 4215	Connector - 4P	
104	1102 4473	CT Connector - 2P	
105	1102 4484	Connector - 13P	
106	1102 4559	Connector - 3P	

1



2



**6. DECAL AND DOCUMENT (A491)**

Index No.	Part No.	Description	Q'ty per Assembly
1	A491 4910	Decal - Removing Misfed Paper	1
1	A491 6060	Multi Decal - Removing Mifed Paper	1
2	A491 4915	Dust Cover Decal	1

**December 1, '90**

Index No.	Part No.	Description	Q'ty per Assembly

# **PARTS INDEX**



December 1, '90

Part No.	Description	Paper and Index No.
A491 4550	Turn Guide Plate A'ssy	5- 45
A491 4611	Duplex Tray	5- 21
A491 4625	Upper Left Cover	3- 37
A491 4630	Bottom Cover	5- 24
A491 4634	Dust Cover	5- 41
A491 4640	Side Fence Rack	5- 23
A491 4645	End Fence Rack	5- 26
A491 4647	Cushion - Side Fence Rack	5- 43
A491 4650	Jog Registration Plate	5- 10
A491 4660	Jog Sensor Bracket	5- 6
A491 4670	Front Side Plate	3- 53
A491 4680	Rear Side Plate	3- 60
A491 4685	Bottom Plate	5- 19
A491 4686	Cushion - Tray Bottom Plate	5- 46
A491 4690	Bottom Plate Hook	5- 14
A491 4695	Pressure Plate - Bottom Plate	5- 17
A491 4700	Transport Motor Bracket	3- 47
A491 4705	Stopper - Bottom Plate Clutch	3- 40
A491 4710	Bracket - Paper End Sensor	3- 58
A491 4715	Paper End Actuator	3- 11
A491 4720	Duplex Stay	3- 9
A491 4725	Junction Gate Hook	3- 51
A491 4730	Upper Guide Plate	3- 3
A491 4740	Guide Plate Link	3- 6
A491 4750	Lower Guide Plate	3- 7
A491 4759	Guide Plate	3- 18
A491 4761	Guide Plate Mylar - 0.188x12x25	3- 63
A491 4765	Paper Holding Bar	3- 8
A491 4770	Guide Plate Paper Feed	3- 22
A491 4780	Mylar Seal - 0.1x23.5x24	3- 31
A491 4783	Mylar Seal - 0.1x18x23	3- 25
A491 4785	Bracket - Paper Entrance Sensor	3- 27
A491 4786	Jog Plate	3- 24
A491 4789	Inverter Guide Plate	3- 20
A491 4790	Mylar Seal - Inverter Guide Plate	3- 21

Part No.	Description	Paper and Index No.
A491 4810	Separation Roller Holder	3- 35
A491 4815	Separation Roller Bracket	3- 30
A491 4817	Guide Pin - Separation Roller	3- 32
A491 4825	Holder - Large Driven Roller	3- 16
A491 4831	Mylar Seal - 0.188x9x33 MB1 (Added)	3- 64
A491 4832	Fusing Gate Solenoid	3- 54
A491 4835	Connector Bracket	5- 40
A491 4860	Upper Turn Guide Plate	5- 33
A491 4870	Lower Turn Guide Plate	5- 37
A491 4880	Fusing Gate Lever	5- 32*
A491 4885	Turn Roller Pulley	5- 34
A491 4890	Harness Clamp Plate	5- 8
A491 4903	Upper Front Cover	3- 38
A491 4910	Decal - Removing Misfed Paper	3- 39
A491 4910	Decal - Removing Misfed Paper	13- 1
A491 4915	Dust Cover Decal	5- 42
A491 4915	Dust Cover Decal	13- 2
A491 4950	Front Cover (USA)	5- 27
A491 4951	Front Cover (EU)	5- 27
A491 5101	Duplex Main Board	5- 3
A491 5101	Duplex Main Board	7- *
A491 5105	IC - uPD7811H	7- 1
A491 5205	Transport Motor - DC30V	3- 46
A491 5205	Transport Motor - DC30V	5- 2
A491 5210	Jog Motor - DC24V	5- 5
A491 5220	x/o MB1	3- 54
A491 5300	Duplex Harness	5- 1
A491 5300	Duplex Harness	9- *
A491 5301	Sensor Harness	5- 4
A491 5301	Sensor Harness	11- *
A491 5302	Intermediate Harness	3- 28
A491 6060	Multi Decal - Removing Mifed Paper	13- 1

December 1, '90

Part No.	Description	Paper and Index No.
AA04 2004	Turn Roller Drive Belt	5- 35
AA06 0245	Separation Roller Spring	3- 29
AA06 0257	Spring - Bottom Plate Clutch	5- 15
AA08 0022	Bushing - 4x7x5mm	3- 41
AA08 0022	Bushing - 4x7x5mm	5- 29
AA11 1010	Paper Entrance Feeler	3- 57
AA11 1011	Paper End Feeler	3- 59
AA14 0291	Bottom Plate Shaft	5- 16
AA14 0292	Feed Roller Shaft	3- 17
AA14 3070	Shoulder Screw - M2x2	5- 39
AA14 3076	Stepped Screw - M4	3- 5
AA14 3076	Stepped Screw - M4	3- 61
AA14 3076	Stepped Screw - M4	5- 31
AA14 3269	Guide Pin - M6	5- 13
AA14 3287	Stepped Screw - M3	3- 62
AA14 5117	Separation Roller Shaft	3- 34
AA14 5119	Jog Plate Shaft	3- 23
AA16 2035	Cushion - Paper Tray MB2 (Added)	5- 44
AB01 3424	Gear - 28Z	3- 50
AB01 3425	Gear - 28Z	3- 42
AB01 3426	Gear - 22Z	3- 44
AB01 3427	Gear - 14Z	5- 30
AB01 7161	Gear - 14Z/45Z	3- 49
AB01 7162	Gear - 14Z/36Z	3- 43
AB01 7163	Gear - 14Z/28Z	3- 48
AB01 7164	Gear - 21Z/64Z	5- 25
AB01 7165	Gear - 16Z/22Z	5- 22
AB04 0008	Bottom Plate Clutch	3- 45
AF01 3002	Bottom Plate Pad	5- 20
AF01 6026	Front Jog Fence	5- 11
AF01 6027	Rear Jog Fence	5- 12
AF01 7005	End Jog Fence	5- 9
AF02 0153	Paper Transport Roller	3- 10
AF02 0154	Upper Turn Roller	5- 36
AF02 0155	Lower Turn Roller	5- 28

Part No.	Description	Paper and Index No.
AF02 0156	Stack Roller	3- 13
AF02 2032	Turn Driven Roller	3- 2
AF02 2032	Turn Driven Roller	5- 38
AF02 2044	Large Driven Roller	3- 4
AF02 2045	Stack Roller Holder	3- 14
AF02 5013	Junction Gate	3- 19
AF03 1008	Feed Roller	3- 15
AF03 2003	Separation Roller	3- 33
AG05 1067	Paper Removal Handle	3- 1
AG07 0004	Magnet Catch Ass'y	5- 18
AW02 0022	Photointerruptor	3- 56
AW02 0022	Photointerruptor	5- 7
AW02 0023	Paper Entrance Sensor	3- 26
5304 1639	Bushing - 8mm	3- 12
5442 3233	Spring - Drive Wheel	3- 52
5443 2668	Bushing	3- 55
5447 2681	Snap Ring	3- 36

December 1, '90

Part No.	Description	Paper and Index No.
0313 0040B	Philips Pan Head Screw - M3x4	3-101
0313 0050W	Philips Pan Head Screw - M3x5	3-102
0313 0050W	Philips Pan Head Screw - M3x5	5-101
0313 0060W	Philips Pan Head Screw - M3x6	5-102
0314 0100W	Philips Pan Head Screw - M4x10	3-103
0314 0100W	Philips Pan Head Screw - M4x10	5-103
0343 0060W	Philips Pan Head Screw - M3x6	5-104
0344 0080F	Philips Truss Head Screw - M4x8	5-105
0353 0050W	Tapping Screw - M3x5	3-104
0353 0060F	Philips Truss Head Screw - M3x6	3-105
0413 0062W	Tapping Screw - M3x6	3-106
0413 0062W	Tapping Screw - M3x6	5-106
0434 0122W	Pan Head Self-tapping Screw - M4x12	5-107
0632 0140E	Parallel Pin - M2x14	3-107
0720 0030E	Retaining Ring - M3	3-108
0720 0030E	Retaining Ring - M3	5-108
0720 0040E	Retaining Ring - M4	3-109
0720 0040E	Retaining Ring - M4	5-109
0720 0060E	Retaining Ring - M6	3-110
0720 0080E	Retaining Ring - M8	3-111
0805 0073	Retaining Ring - M5	5-110
0805 3366	Bushing - 6mm	3-112
0951 3005W	Philips Screw With Flat Washer - M3x5	3-113
0951 3005W	Philips Screw With Flat Washer - M3x5	5-111
0951 4006W	Philips Screw With Flat Washer - M4x6	3-114
1100 1247	Terminal	9-101
1100 1329	Socket Contact	9-102
1100 1534	Pin Contact	9-103
1102 1831	Connector - 4P	9-104
1102 1984	Connector - 4P	9-105
1102 4203	CT Header - 4P	7-101
1102 4205	Connector - 6P	7-102
1102 4213	Connector - 2P	11-101
1102 4214	CT Receptacle - 3P	11-102
1102 4215	Connector - 4P	11-103

Part No.	Description	Paper and Index No.
1102 4473	CT Connector - 2P	11-104
1102 4484	Connector - 13P	11-105
1102 4497	Connector - 13P	7-103
1102 4559	Connector - 3P	11-106
1102 4800	Connector - 8P	9-106
1103 0441	Pin Terminal - 4P	7-104
1103 1770	Connector - 4P	7-105
1103 1772	Pin Header - 6P	7-106
1105 0199	Clamp	3-115
1204 1482	DIP Switch	7-107
1400 0208	Transistor - 2SC945	7-108
1401 0815	Diode - 1S1588	7-109
1402 0277	Zener Diode - 1Z12	7-110
1402 0841	Diode - RK34	7-111
1407 1348	IC - TD62304AP	7-112
1407 1535	IC - TD62308AP	7-113
1407 3478	IC - SLA7024M	7-114
1408 0258	IC - AN6914	7-115
1503 0071	Oscillator - 12MHz	7-116
1600 1295	Resistor - 0.82 W 2W ± 5%	7-117
1601 7354	Resistor Array - 10K W	7-118
1601 7374	Resistor Array - 4.7K W	7-119
1602 7032	Noise Filter - 2200pF 250V 7A	7-120
1604 1363	Capacitor - 10uF ± 20% 25V	7-121
1604 1367	Capacitor - 100uF ± 20% 25V	7-122
1604 1371	Capacitor - 1000uF 25V	7-144
1604 1379	Capacitor - 2.2uF ± 20% 50V	7-123
1604 1386	Capacitor - 100uF ± 20% 50V	7-124
1606 1129	Capacitor - 30pF ± 5% 50V	7-125
1606 1329	Capacitor - 330pF ± 10% 50V	7-126
1606 1330	Capacitor - 470pF ± 10% 50V	7-127
1606 1333	Capacitor - 2200pF -20% +80% 50V	7-128
1606 1336	Capacitor - 10000pF -20% +80% 50V	7-129
1606 1458	Capacitor - 0.1uF -20% +80% 50V	7-130
1611 4101	Resistor - 100 W 1/4T ± 5%	7-131

December 1, '90

Part No.	Description	Paper and Index No.
1611 4102	Resistor - 1K W 1/4T $\pm$ 5%	7-132
1611 4103	Resistor - 10K W 1/4T $\pm$ 5%	7-133
1611 4105	Resistor - 1M W 1/4T $\pm$ 5%	7-134
1611 4181	Resistor - 180 W 1/4T $\pm$ 5%	7-135
1611 4223	Resistor - 22K W 1/4T $\pm$ 5%	7-136
1611 4242	Resistor - 2.4K W 1/4T $\pm$ 5%	7-137
1611 4332	Resistor - 3.3K W 1/4T $\pm$ 5%	7-138
1611 4391	Resistor - 390 W 1/4T $\pm$ 5%	7-139
1611 4472	Resistor - 4.7K W $\pm$ 5% 1/4W	7-140
1611 4473	Resistor - 47K W 1/4T $\pm$ 5%	7-141
1611 4511	Resistor - 510 W 1/4T $\pm$ 5%	7-142
1611 4513	Resistor - 51K W 1/4T	7-143

Part No.	Description	Paper and Index No.
----------	-------------	---------------------